

428 McCormick Street
 San Leandro, CA 94577
 510-567-8503
 510-567-8506 [fax]
www.inexinnovation.com

Dealer and Distributor
Please Contact:
510-326-2985
jimmyko@inexinnovation.com



Photon AMP II - Laser Audio Cable

General Specifications

Parameter	Specification	
Frequency Response	4 Hz to 40 MHz	
Maximum Input Line Voltage	2.5 Vrms	
Maximum Output Line Voltage	2.5 Vrms	
Input Impedance	20,000 ohm	
Output Impedance	75 ohm	
Nominal Voltage Gain	0 dB	
Connector	RCA or XLR	
Power Supply	Recommended Standard	INEX4000 Li-ion Battery Pack AC-DC Switching Power Adapter

Order Information

P A 2 -

--	--	--

 -

--	--	--	--

A B

A: Connector Type

Code	Connector
RCA	RCA
XLR	XLR

B: Cable Length

Code	Length [m]
0015	1.5
0030	3
0050	5
0100	10
0200	20
1000	100

The information set forth in this document reflects our best knowledge at the time of issue. The document is subject to changes pursuant to new developments and findings, and a similar reservation applies to the properties of the products described. We undertake no liability for results obtained by usage of our products and information.

INEX INNOVATION

Photon AMP II

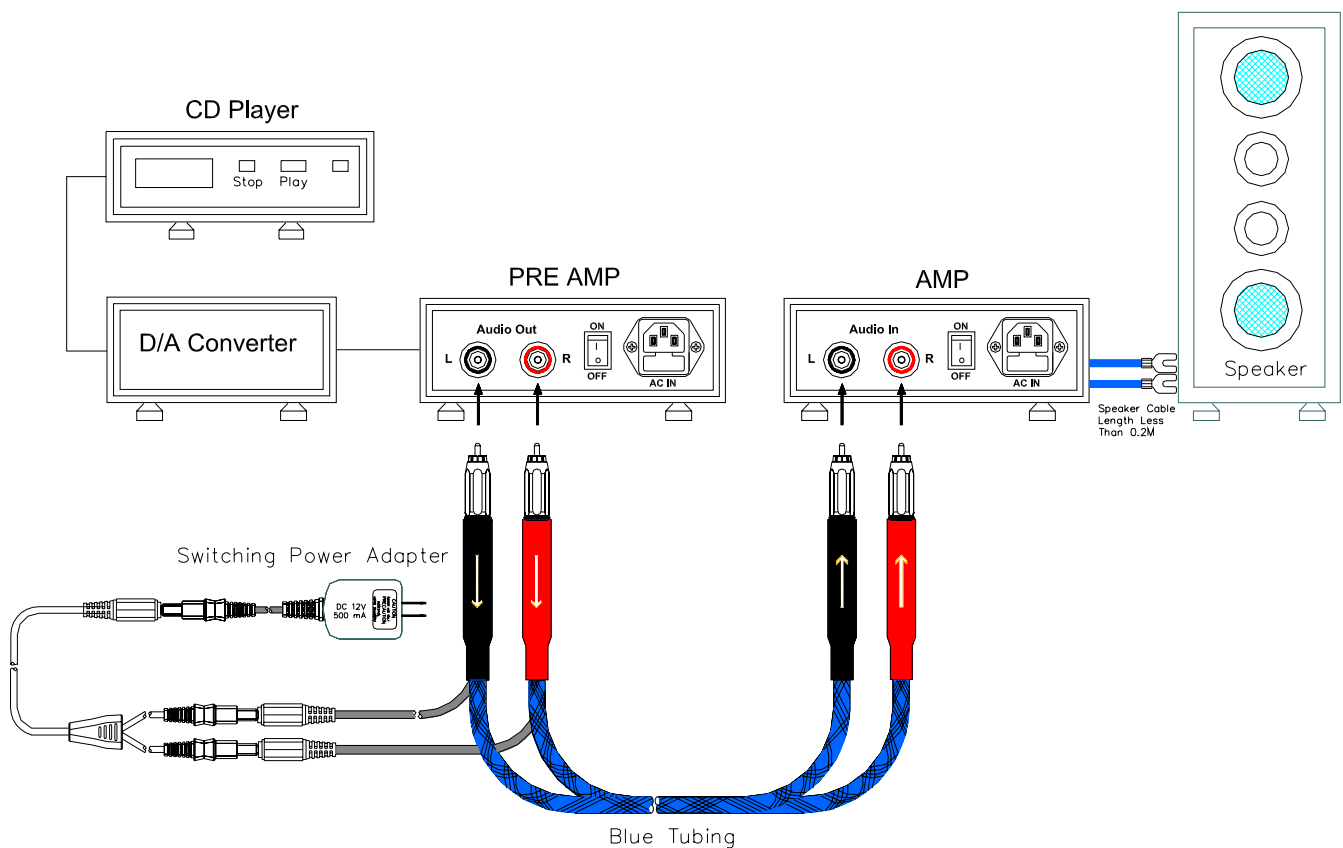
428 McCormick Street
San Leandro, CA 94577
510-567-8503
510-567-8506 [fax]
www.inexinnovation.com

Dealer and Distributor
Please Contact:
510-326-2985
jimmyko@inexinnovation.com



Connection: Preamp's Out to Power Amplifier's In

With AC-DC Switching Power Adapter



The information set forth in this document reflects our best knowledge at the time of issue. The document is subject to changes pursuant to new developments and findings, and a similar reservation applies to the properties of the products described. We undertake no liability for results obtained by usage of our products and information.

INEX INNOVATION

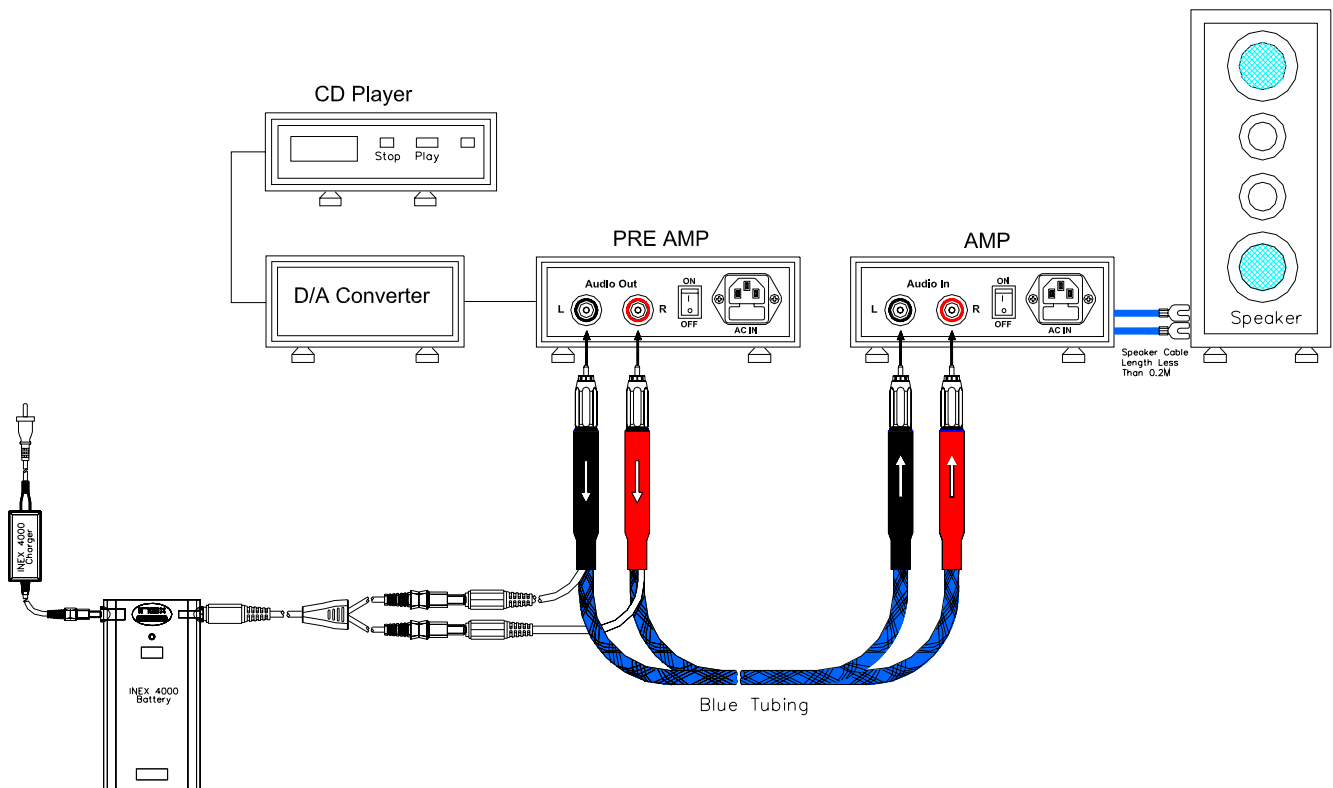
Photon AMP II

428 McCormick Street
San Leandro, CA 94577
510-567-8503
510-567-8506 [fax]
www.inexinnovation.com

Dealer and Distributor
Please Contact:
510-326-2985
jimmyko@inexinnovation.com



With INEX4000 Li-ion Battery Pack



The information set forth in this document reflects our best knowledge at the time of issue. The document is subject to changes pursuant to new developments and findings, and a similar reservation applies to the properties of the products described. We undertake no liability for results obtained by usage of our products and information.

INEX INNOVATION

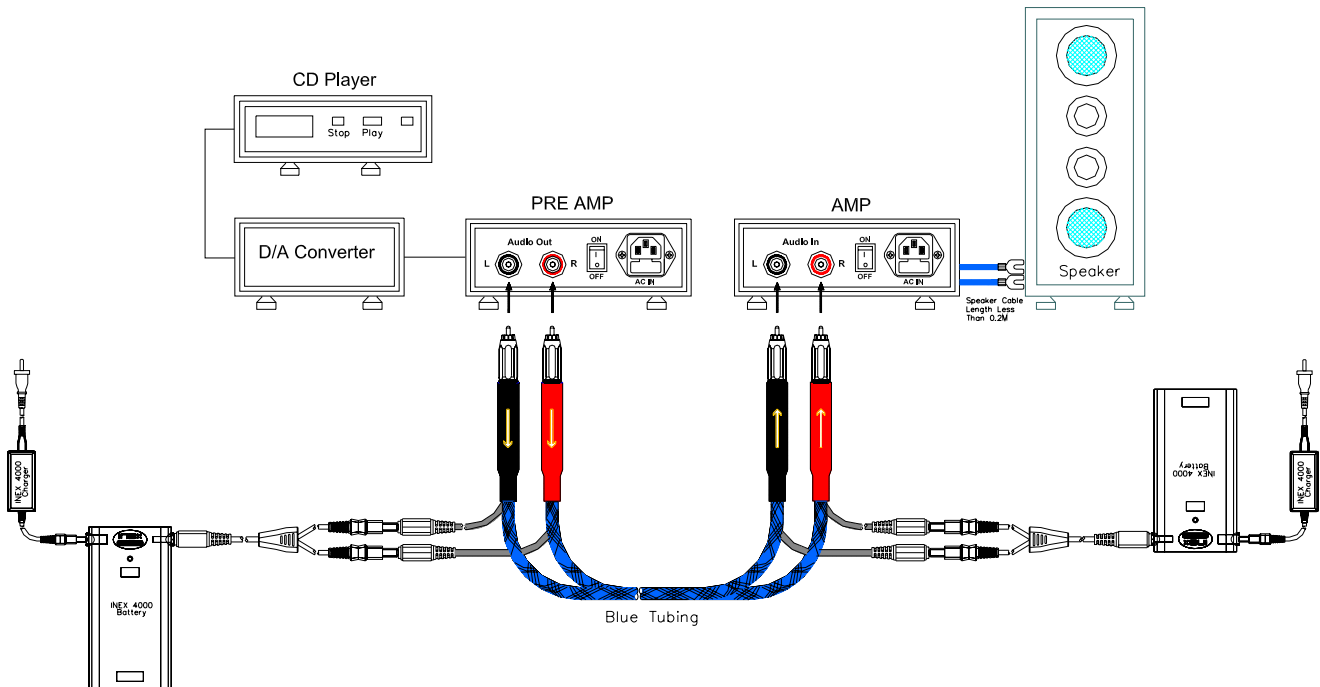
Photon AMP II

428 McCormick Street
San Leandro, CA 94577
510-567-8503
510-567-8506 [fax]
www.inexinnovation.com

Dealer and Distributor
Please Contact:
510-326-2985
jimmyko@inexinnovation.com



For Cable Length More Than 5 Meters



The information set forth in this document reflects our best knowledge at the time of issue. The document is subject to changes pursuant to new developments and findings, and a similar reservation applies to the properties of the products described. We undertake no liability for results obtained by usage of our products and information.