

Installation Instructions

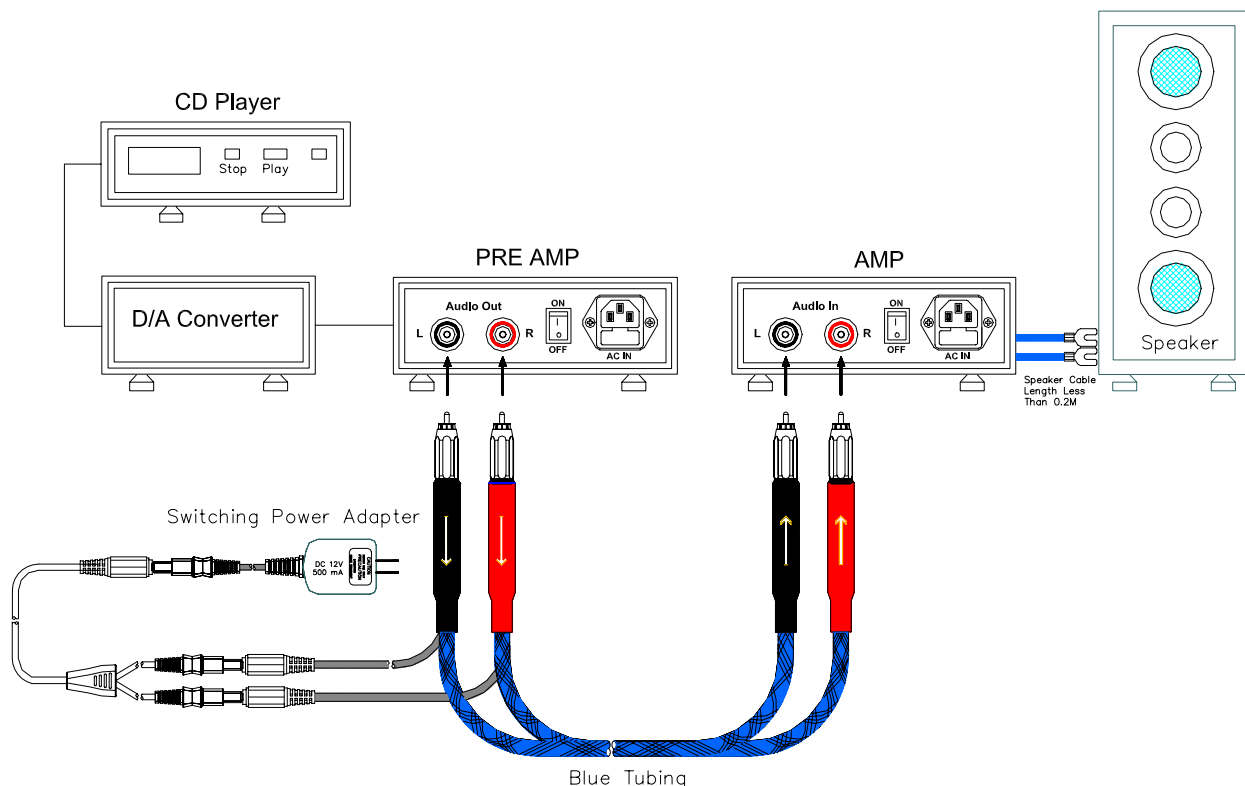
Laser Audio Cable - Photon AMP II Optimized for Connection from Preamp to Amplifier

First instruction: power down the amplifier(s), good audiophile practice no matter whose cable you're changing. As Photon AMP Cables work with a 12V DC power source, they may thump the speakers during installation if the amplifiers are left on.

Install your new blue-jacketed INEX Innovation Photon AMP Cables as indicated in the illustrations below, taking care to follow the signal direction indicated on the cable jacket. The LAM Photon Transducer power supply "tailback" connectors emerging from the cables' XLR or RCA connectors are located at the preamplifier end.

The tailbacks from each cable are "gathered" into a two-to-one power splitter also known as Y-cable (supplied) and plugged into the power source; either AC-DC switching power adapter or INEX4000 Li-ion battery pack and charger.

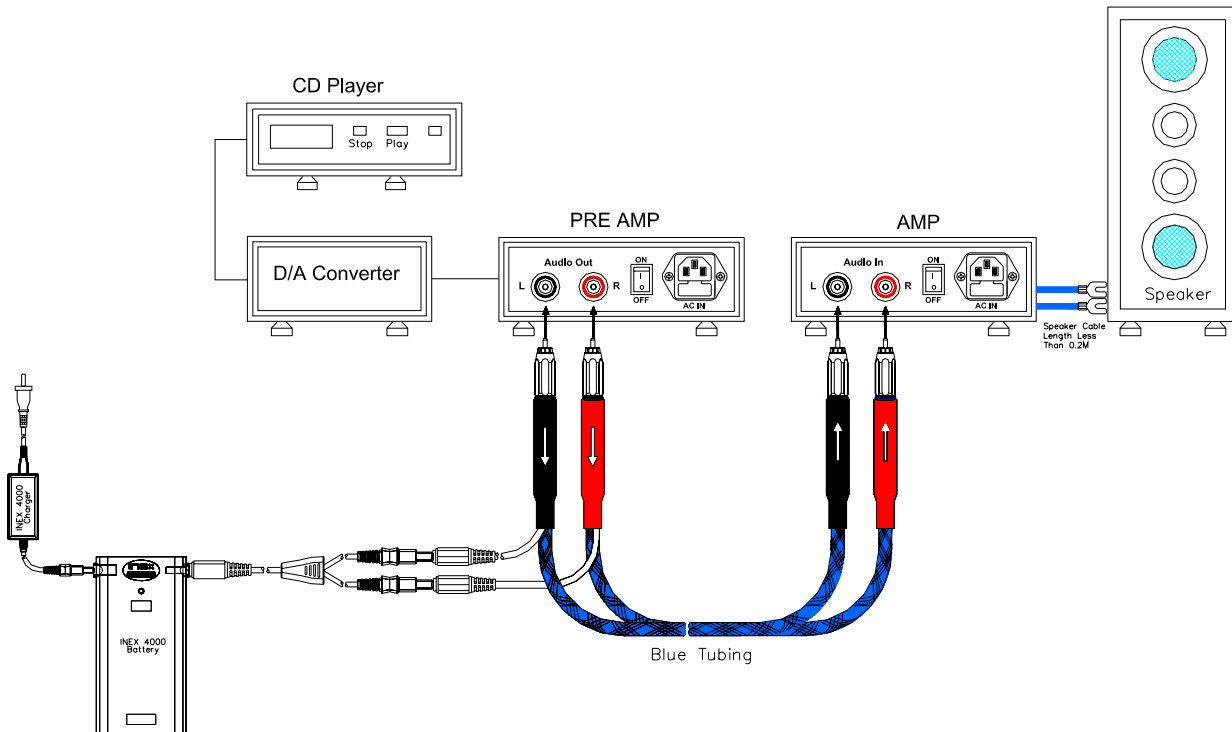
Connection Scheme with an AC-DC Switching Power Adaptor



Note: The direction is from SOURCE to DESTINATION, in other words, starting from preamplifier to amplifier.

If you choose the optional INEX4000 Li-ion battery pack and charger -- and we strongly recommend you do -- hook your new Photon AMP Cables in the following way, substituting the INEX4000 Li-ion battery pack for the AC-DC switching power adapter and adding a silver Y-cable (supplied with INEX4000) as necessary.

Connection Scheme for an INEX4000 Li-ion Battery Pack and Charger

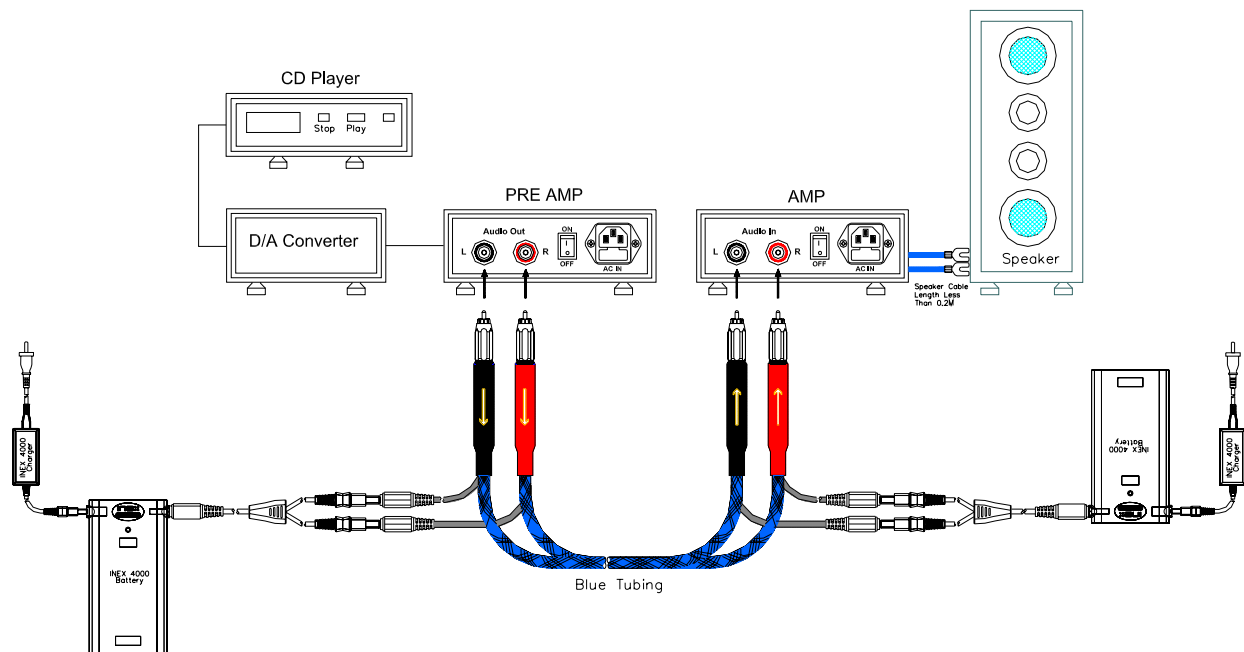


Note: The direction is from SOURCE to DESTINATION, in other words, starting from preamplifier to amplifier.

There is a power supply connection required for each cable. Please check our website for Product Release Notes with tips on the connections of batteries for the best audio performance.

In case of cable length more than 5 meters, the tailbacks are built at both ends of Photon AMP Cables. We strongly recommend you to use INEX4000 Li-ion battery packs. The difference will be day and night. Hook your new Photon AMP Cables in the following way, adding two INEX4000 Li-ion battery packs in the connection.

Connection Scheme for Cable Length More Than 5 Meters with Two INEX4000 Packs



Note: The direction is from SOURCE to DESTINATION, in other words, starting from preamplifier to amplifier.

There is a power supply connection required for each cable. Please check our website for Product Release Notes with tips on the connections of batteries for the best audio performance.

PRODUCT FAMILY

Photon PreAmp

Photon AmpliCable

Photon Interconnects

