

428 McCormick Street  
 San Leandro, CA 94577  
 510-567-8503  
 510-567-8506 [fax]  
[www.inexinnovation.com](http://www.inexinnovation.com)

**Dealer and Distributor**  
**Please Contact:**  
**510-326-2985**  
[jimmyko@inexinnovation.com](mailto:jimmyko@inexinnovation.com)



## Photon Digital II - Laser Audio Cable

### General Specifications

Parameter		Specification
Frequency Response		2 Hz to 50 MHz
Input Line Voltage	RCA/BNC	0.2 to 1.0 Vp-p
	XLR	2 to 10 Vp-p
Output Line Voltage	RCA/BNC	0.2 to 1.0 Vp-p
	XLR	2 to 10 Vp-p
Input Impedance	RCA/BNC	75 ohm
	XLR	110 ohm
Output Impedance	RCA/BNC	75 ohm
	XLR	110 ohm
Nominal Voltage Gain		0 dB
Connector		RCA, XLR or BNC
Power Supply	Recommended	INEX4000 Li-ion Battery Pack
	Standard	AC-DC Switching Power Adapter

### Order Information

P D 2 - 

--	--	--

 - 

--	--	--	--

  
A B

A: Connector Type

Code	Connector
RCA	RCA
XLR	XLR
BNC	BNC

B: Cable Length

Code	Length [m]
0015	1.5
0030	3
0050	5
0100	10
0200	20
1000	100

The information set forth in this document reflects our best knowledge at the time of issue. The document is subject to changes pursuant to new developments and findings, and a similar reservation applies to the properties of the products described. We undertake no liability for results obtained by usage of our products and information.

# INEX INNOVATION

## Photon Digital II

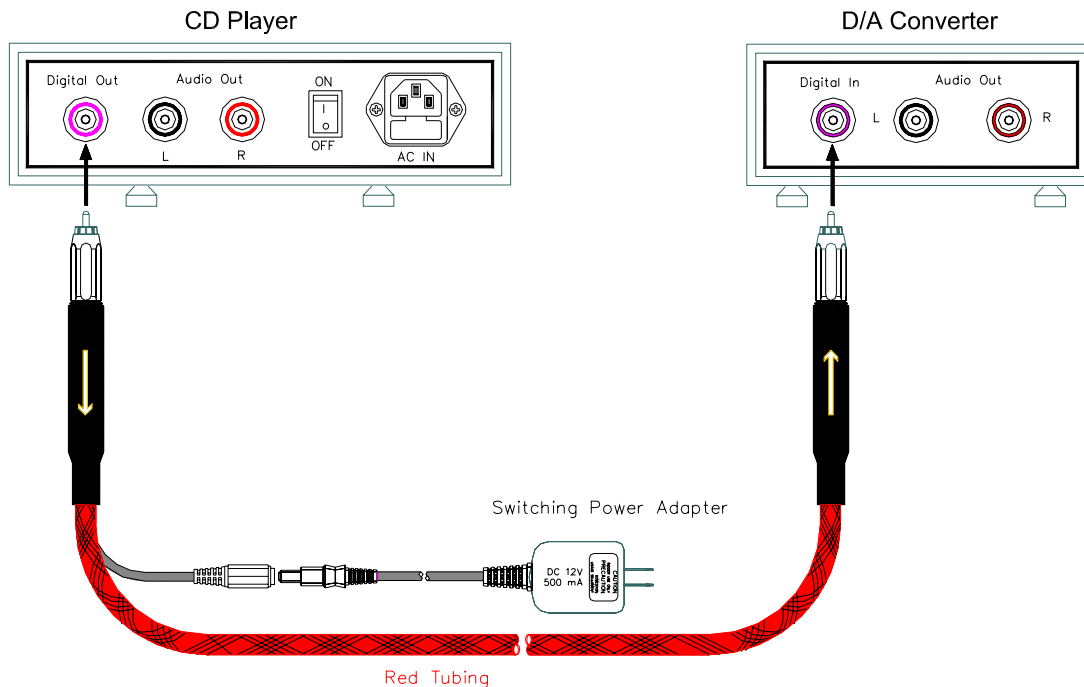
428 McCormick Street  
San Leandro, CA 94577  
510-567-8503  
510-567-8506 [fax]  
[www.inexinnovation.com](http://www.inexinnovation.com)

**Dealer and Distributor**  
**Please Contact:**  
**510-326-2985**  
[jimmyko@inexinnovation.com](mailto:jimmyko@inexinnovation.com)



**Connection:** CD Player's Digital Out to D/A Converter's In

**With AC-DC Switching Power Adapter**



The information set forth in this document reflects our best knowledge at the time of issue. The document is subject to changes pursuant to new developments and findings, and a similar reservation applies to the properties of the products described. We undertake no liability for results obtained by usage of our products and information.

# INEX INNOVATION

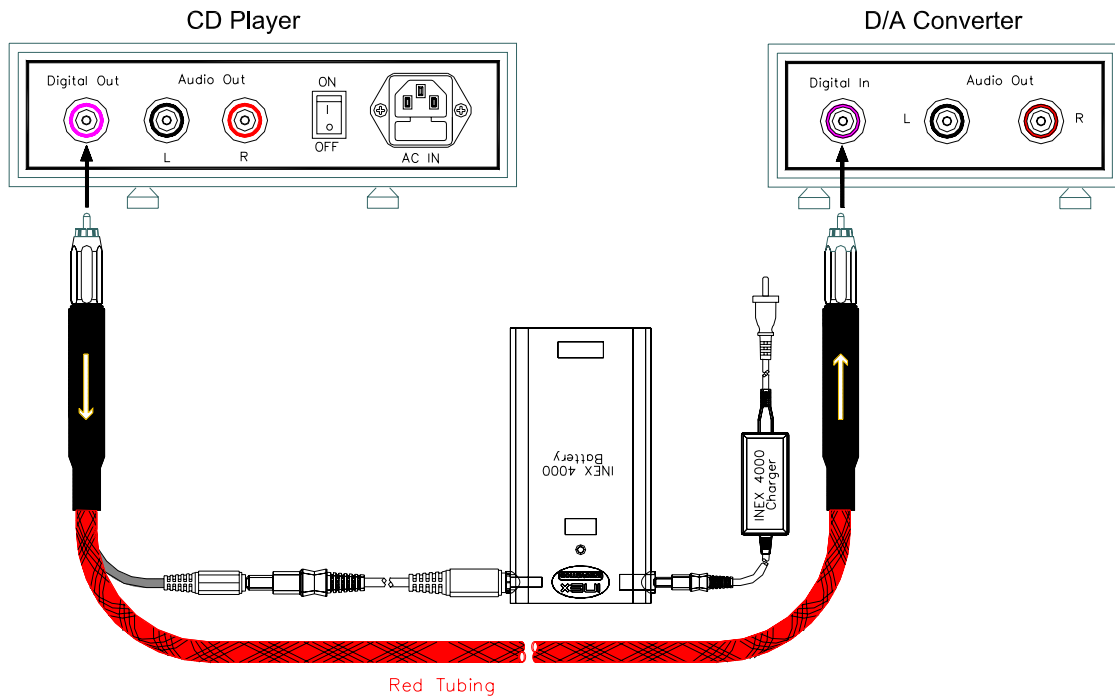
## Photon Digital II

428 McCormick Street  
San Leandro, CA 94577  
510-567-8503  
510-567-8506 [fax]  
[www.inexinnovation.com](http://www.inexinnovation.com)

**Dealer and Distributor**  
**Please Contact:**  
**510-326-2985**  
[jimmyko@inexinnovation.com](mailto:jimmyko@inexinnovation.com)



### With INEX4000 Li-ion Battery Pack



The information set forth in this document reflects our best knowledge at the time of issue. The document is subject to changes pursuant to new developments and findings, and a similar reservation applies to the properties of the products described. We undertake no liability for results obtained by usage of our products and information.

# INEX INNOVATION

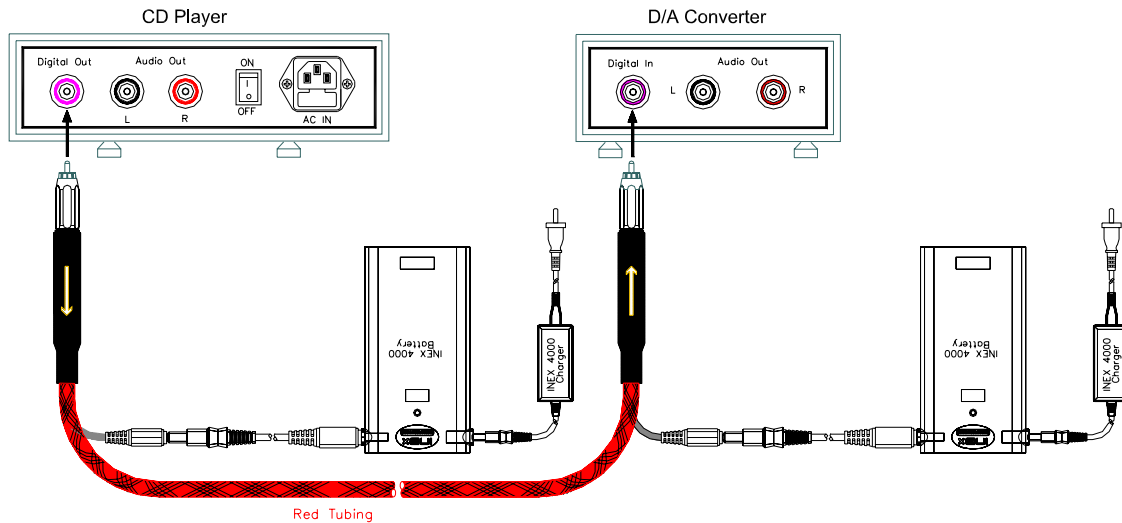
## Photon Digital II

428 McCormick Street  
San Leandro, CA 94577  
510-567-8503  
510-567-8506 [fax]  
[www.inexinnovation.com](http://www.inexinnovation.com)

**Dealer and Distributor**  
**Please Contact:**  
**510-326-2985**  
[jimmyko@inexinnovation.com](mailto:jimmyko@inexinnovation.com)



### For Cable Length More Than 5 Meters



The information set forth in this document reflects our best knowledge at the time of issue. The document is subject to changes pursuant to new developments and findings, and a similar reservation applies to the properties of the products described. We undertake no liability for results obtained by usage of our products and information.