

### Installation Instructions

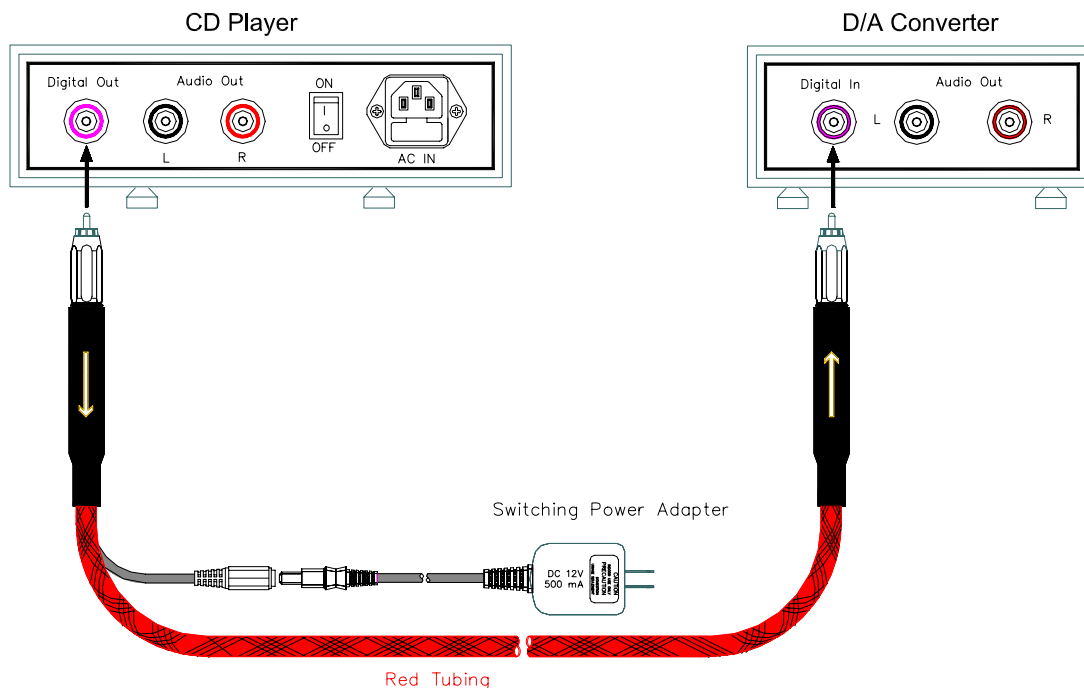
#### **Laser Audio Cable - Photon Digital II Optimized for Connection from Digital Source to D/A Converter**

**First instruction: power down the amplifier(s)**, good audiophile practice no matter whose cable you're changing. As Photon Digital Cable works with a 12V DC power source, it may thump the speakers during installation if the amplifiers are left on.

Install your new red-jacketed INEX Innovation Photon Digital Cable as indicated in the illustrations below, taking care to follow the signal direction indicated on the cable jacket. The LAM Photon Transducer power supply "tailback" connector emerging from the cable's XLR or RCA connector is located at the source end.

The tailback from the cable could be plugged into AC-DC switching power adapter directly. If INEX4000 Li-ion battery pack and charger was chosen as the power source, the tailback should be plugged into INEX4000 battery pack with a proper wire adapter (supplied).

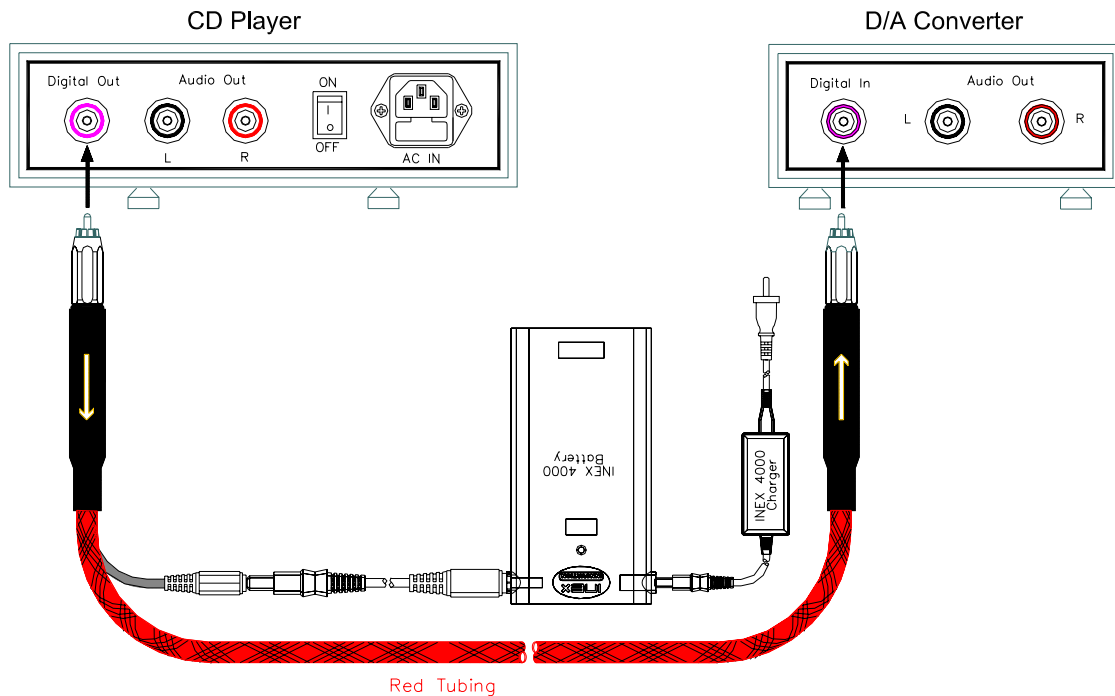
#### **Connection Scheme with an AC-DC Switching Power Adaptor**



**Note:** The direction is from SOURCE to DESTINATION, in other words, starting from CD player (digital out) to D/A converter (digital in).

If you choose the optional INEX4000 Li-ion battery pack and charger -- and we strongly recommend you do -- hook your new Photon Digital Cable in the following way, substituting the INEX4000 Li-ion battery pack for the AC-DC switching power adapter and adding a wire adapter (supplied) either an one-to-one power adapter (also known as I-cable) or a two-to-one power splitter (also known as Y-cable) as necessary.

### Connection Scheme with an INEX4000 Li-ion Battery Pack and Charger

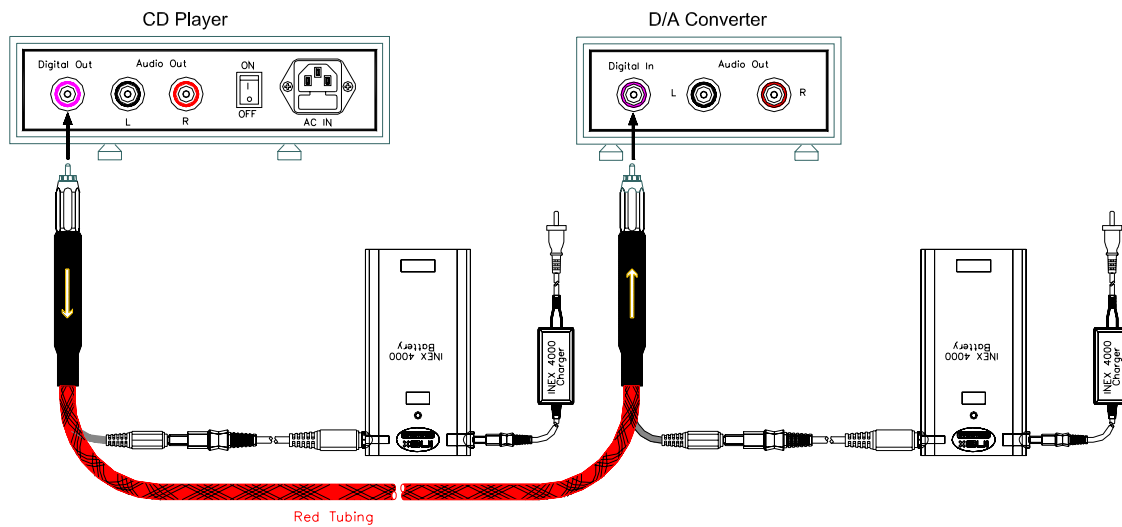


**Note:** The direction is from SOURCE to DESTINATION, in other words, starting from CD player (digital out) to D/A converter (digital in).

Please check our website for Product Release Notes with tips on the connections of batteries for the best audio performance.

In case of cable length more than 5 meters, the tailbacks are built at both ends of Photon Digital Cable. We strongly recommend you to use INEX4000 Li-ion battery packs. The difference will be day and night. Hook your new Photon Digital Cable in the following way, adding two INEX4000 Li-ion battery packs in the connection.

### Connection Scheme for Cable Length More Than 5 Meters with Two INEX4000 Packs



**Note:** The direction is from SOURCE to DESTINATION, in other words, starting from CD player (digital out) to D/A converter (digital in).

Please check our website for Product Release Notes with tips on the connections of batteries for the best audio performance.

PRODUCT FAMILY

*Photon PreAmp*

*Photon AmpliCable*

*Photon Interconnects*

