

INEX INNOVATION

Photon PreAmp
Photon PreAmp

PRE-A200 & PRE-A202

PHOTON AUDIO PREAMPLIFIER

OWNER MANUAL

IMPORTANT SAFETY INSTRUCTIONS

1. Read these instructions.
2. Keep these instructions.
3. Heed all warnings.
4. Follow all instructions.
5. Do not use this apparatus near water.
6. Clean only with dry cloth.
7. Do not block any ventilation openings. Install in accordance with the manufacturer instructions.
8. Do not install near any heat sources such as radiators, heat registers, stoves, or other apparatus (including amplifiers) that produce heat.
9. Do not defeat the safety purpose of the polarized or grounding-type plug. A polarized plug has two blades with one wider than the other. A grounding type plug has two blades and a third grounding prong. The wide blade or the third prong is provided for your safety. If the provided plug does not fit into your outlet, consult an electrician for replacement of the obsolete outlet.
10. Protect the power cord from being walked on or pinched particularly at plugs, convenience receptacles, and the point where they exit from the apparatus.
11. Only use attachments/accessories specified by the manufacturer.
12. Unplug this apparatus during lightning storms or when unused for long periods of time.
13. Refer all servicing to qualified service personnel. Servicing is required when the apparatus has been damaged in any way, such as power-supply cord or plug is damaged, liquid has been spilled or objects have fallen into the apparatus, the apparatus has been exposed to rain or moisture, does not operate normally, or has been dropped.

WARNING: TO REDUCE THE RISK OF FIRE OR ELECTRIC SHOCK, DO NOT EXPOSE THIS APPARATUS TO RAIN OR MOISTURE. DO NOT EXPOSE THIS EQUIPMENT TO DRIPPING OR SPLASHING AND ENSURE THAT NO OBJECTS FILLED WITH LIQUIDS, SUCH AS VASES, ARE PLACED ON THE EQUIPMENT. TO COMPLETELY DISCONNECT THIS EQUIPMENT FROM THE AC MAINS, DISCONNECT THE POWER SUPPLY CORD PLUG FROM THE AC RECEPTACLE. THE MAINS PLUG OF THE POWER SUPPLY CORD SHALL REMAIN READILY OPERATABLE.

LIMITED WARRANTY

Inex Innovation, Inc., herein referred to as the "Inex" or "manufacturer", guarantees this product to be free from defect in both material and workmanship, and agrees to remedy any such defect or replace any defective component at no charge for a period of one year from the date of sale to the first end user. This warranty does not apply to the enclosure or appearance items such as the faceplate or control keys, nor does it cover any expenses incurred in shipping the unit to the appropriate service depot.

Inex will only warranty Inex products purchased through authorized Inex dealers. This warranty is considered void if the product has been found to be subjected to misuse, abuse, lightning strike, unauthorized service, damaged in transit, or has been altered or repaired in such a way so as to detract from its performance, reliability, or its safe operation while in the possession of the customer.

The foregoing is in lieu of any other warranties expressed, implied, or statutory and the manufacturer neither assume nor authorizes any person to assume for it any other obligation or liability in connection with the sale of this product. The warranty is not transferable except by written authorization from the manufacturer.

In order to qualify under the term of the above warranty, in the event of a defect or malfunction, contact Inex customer service or authorized dealer to request the return material authorization (RMA). Products must be returned using only original packaging material which may be purchased from Inex if necessary. All items must be returned to the appropriate factory service depot with shipping charges prepaid.

For your record, please write down the following information after purchase:

Model No.: _____ Serial No.: _____

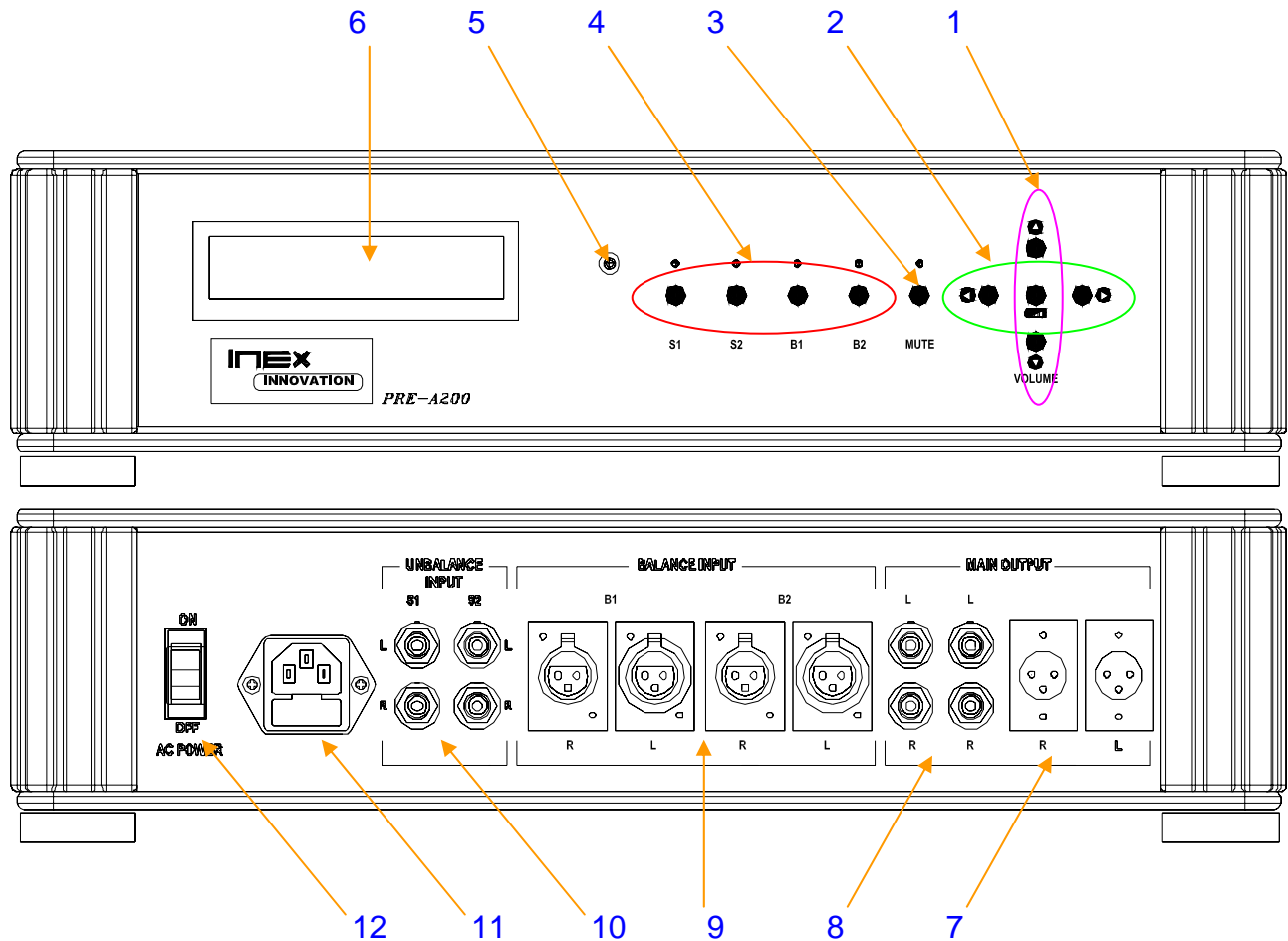
Purchased From: _____ Purchase Date: _____

General Specifications – PRE-A200 and PRE-A202

Parameter	Specification
Frequency Response	4 Hz to 30 MHz
Maximum Output	2.5 volts unbalanced 5.0 volts balanced
Sensitivity	Unbalanced Line Level Inputs 2.5 volts Balanced Inputs 5.0 volts
XLR Connector Pin-out (Balanced I/O)	pin 1 ground, pin 2 positive, Pin 3 negative
Audio Signal I/O	2 pairs of RCA inputs 2 pairs of RCA outputs 2 pairs of balanced female XLR inputs 1 pair of balanced male XLR outputs
Line Power	100 - 240 VAC
Remote Control Battery	Two AAA
Dimensions L x W x H	16.5" x 14.2" x 4.3" 420 x 360 x 110 mm
Weight	16 lb / 7.3 kg

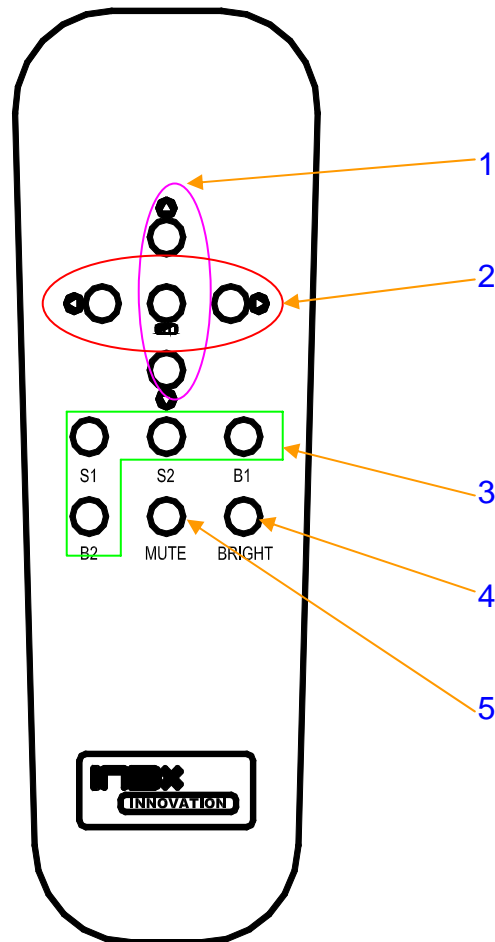


Front Panel Control and Rear Panel Connections



- | | |
|---|--------------------|
| 1. Volume Control (0 to 100) and Scale (1, 5, 10) | 7. XLR Outputs |
| 2. Balance Control and Scale (1%, 5%, 10%) | 8. RCA Outputs |
| 3. Mute | 9. XLR Inputs |
| 4. Input Port Selection | 10. RCA Inputs |
| 5. Remote Control Signal IR Receiving Sensor | 11. AC Power Input |
| 6. LCD Display | 12. Power Switch |

Remote Controller



1. Volume Control (0 to 100) and Scale (1, 5, 10)
2. Balance Control and Scale (1%, 5%, 10%)
3. Input Port Selection
4. LCD Brightness (4 Levels)
5. Mute

INTRODUCTION

Thanks for choosing Inex Photon PreAmp. This unique preamplifier was made with the state-of-art fiber optic technologies which have been acknowledged as the most significant single technological breakthrough in the past 20 years by a prestigious reviewer in a major audio magazine. It is immediately superior in every way. Inex Photon PreAmp is setting new standards in musical harmonics and will explore the true sounds of your system full potential. You are able to see the arrival of the new dawn. Sit tight and enjoy the new era of sounds.

UNPACKING

Carefully inspect all sides of the shipping carton for damage. Any obvious dents or heavy scuff marks should alert you to the possibility of damage to the contents. Open the top flaps and carefully lift the unit straight out of the carton. If marks indicating potential damage were found on the outside carton, note their location in relation to the orientation of the unit as you remove it from the carton.

Remove the PRE-A200/A202 from its protective wrapping and inspect it thoroughly. Pay special attention to the corresponding areas on the preamplifier where damage was found to the shipping carton. If damage is evident, document the type and extent of the damage. Then, re-pack the unit and contact your dealer immediately.

If your unit was delivered by a common carrier, e.g., UPS or FedEx, and you found it to be damaged, contact the carrier immediately for instructions. Do not send the unit back to the shipper until instructed to do so by the carrier. To do so may void any claim for damage you might have.

DO NOT DISCARD PACKING MATERIALS AND CARTONS. Should there be a necessity to return the product for any reason, it must arrive safely and suitably packaged. If the unit has incurred damage as result of improper return packaging, it is not likely that a claim for damage against the carrier will be successful. If the unit was to arrive at the factory in anything other than factory approved packaging, we reserve the right to return in factory-approved packaging and charge the cost of the packaging to the shipper.

INSTALLATION & CONNECTION

In the shipping carton, you should find

- | | |
|--|---|
| ○ Photon PreAmp, PRE-A200 | 1 |
| ○ Remote controller with two AAA batteries | 1 |
| ○ AC power cord | 1 |
| ○ Metal foot | 4 |
| ○ Owner manual | 1 |

Please contact your dealer immediately if any items are missing.

Install four metal feet on the bottom of PRE-A200/A202, and place PRE-A200/A202 in where there is a direct line-of-sight between the hand-held remote controller and the infra-red sensor located on the front panel of PRE-A200/A202. Connect the input and output cables to proper I/O ports on the rear panel. Connect the AC power cord into the power input receptacle on the rear panel, and then plug the power cord to appropriate AC power source.

Be sure that the downstream amplifier is turned off. Turn on PRE-A200/A202 by switching the AC power switch to ON. The LCD display will be light on as below

				M	U	T	E					1	0
L	0			V	O	L	U	M	E			0	R

The default status after power on is in the mute mode, minimum volume, S1 input port and adjustment scale 10.

CONTROLS

The user can use the control keys on the front panel and remote controller to control volume, adjust L-R channel balance, enter mute mode and select the input port. The LCD brightness can be adjusted by the remote controller only. See the figures on page 3 and 4.

The volume control keys are used to control audio volume. The volume range is between 0 and 100. The scale key (middle one) is used to set the adjustment scale (1, 5 or 10). The balance control keys are used to adjust the L-R channel balance. The scale key (same as volume control) is used to set the adjustment percentage (1%, 5 % or 10%). The mute key is used to enter/release mute function. The volume control keys can be used to release the mute function, too. The input selection keys are used to select the input ports (S1, S2, B1 and B2). The BRIGHT key on remote controller is used to set the LCD brightness in four different levels.

LCD DISPLAY

The LCD display on the front panel is able to show the following information

B	A	T		I	N	P	U	T		S	1	0	5	
L	1	0	0	V	O	L	U	M	E		1	0	0	R

The left part of the top row indicates the battery condition. In the normal operation, the user should see no information. As “BAT” indicates (blinks), the battery needs to be replaced (see § BATTERY REPLACEMENT). For PRE-A202, two battery packs are built-in. The battery indicator displays “BATR”, “BATL” and “BATB” for battery replacement for the right, left or bath channels, respectively.

The middle part of the top row shows the current selected input port. In case of indicating “MUTE”, PRE-A200/A202 is in the mute mode. The right part of the top row displays the current adjustment scale setting. The bottom row indicates the current volume for left and right channels.

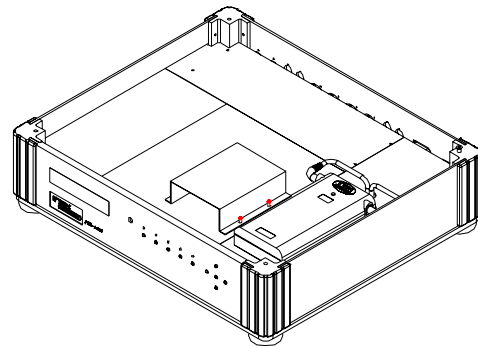
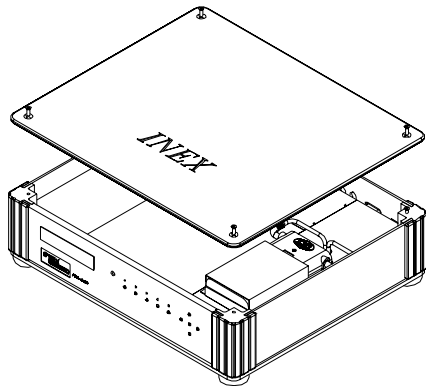
BATTERY REPLACEMENT

There is a built-in rechargeable Li-ion battery (INEX4000) inside PRE-A200 chassis. The battery is used to support laser analog modules (LAM). See § TECHNOLOGIES for further details. The battery was designed as a plug-and-play apparatus. It needs to be replaced every 24 to 36 months. For PRE-A202, dual battery packs are built-in to separate the left and right channel operation for the best channel separation performance.

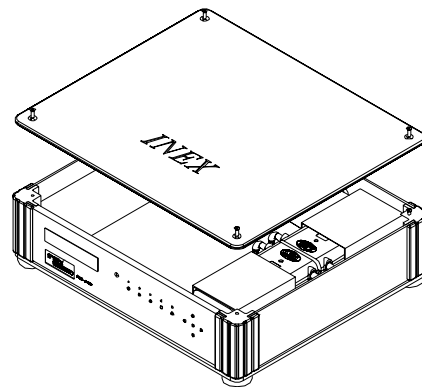
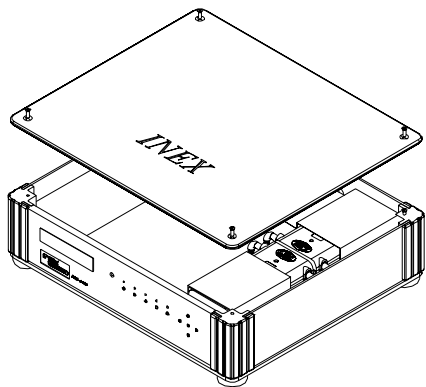
To replace the INEX-4000 battery, first, turn off the PRE-A200/A202 and disconnect the AC power cord. Use a M5 hex socket driver to unscrew the four screws on the top cover. Then, use a Philips (plus) screwdriver to release four screws on the battery shield. Disconnect the battery I/O cables and replace

the entire battery pack with a new one. Re-connect the I/O cables into the new battery. Since the connectors of battery I/O cables are different sizes, it cannot go wrong. Re-install the shield and top cover.

Don't hesitate to contact your dealer if you have any reservation or question to replace the battery by your own. There are some warranty seals inside the chassis. The warranty voids if these seals are broken.



PRE-A200 Battery Replacement



PRE-A202 Battery Replacement

TECHNOLOGIES

PRE-A200/A202 Photon PreAmp was made with Inex patented technologies, including laser analog modules (LAM), fiber optical multiplexer, optical contactless potentiometer. The state-of-art technologies allow the audio signals travel at light speed without any electrical contact point inside preamplifier. The technologies retain audio signal airiness and 100% integrity.

As the audio signals come into PRE-A200/A202, LAM changes the signals from the electrical to optical format. However, the signal characteristics are still analog. There is no sampling and programming for analog-to-digital or digital-to-analog conversion. Only the signal format is transformed. The optical analog signals transmit inside the fiber. The input port is selected by the optical multiplexer, and the signal volume is controlled by optical potentiometer. There is no electrical contact point for the whole signal path inside the fiber, i.e., there is no contamination and interference inside the PRE-A200/A202.

These technical breakthroughs are bringing audio systems into a new era. Please contact your dealer for more information regarding the product family related to your PRE-A200/A202.

PRODUCT FAMILY

Photon PreAmp

Photon AmpliCable

Photon Interconnects

